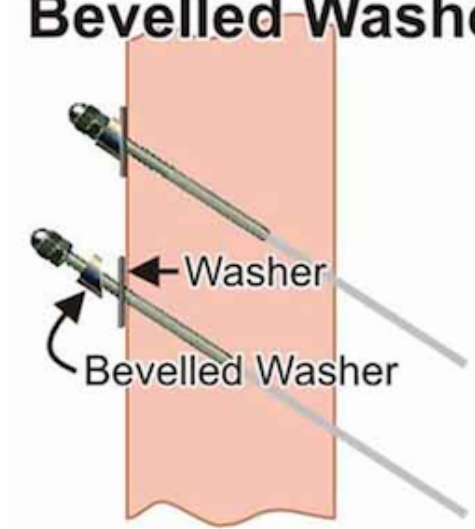
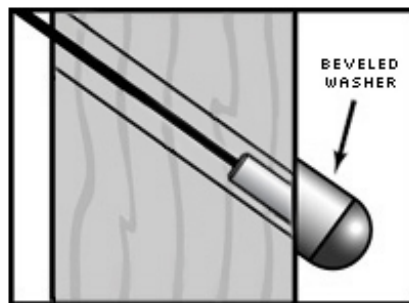
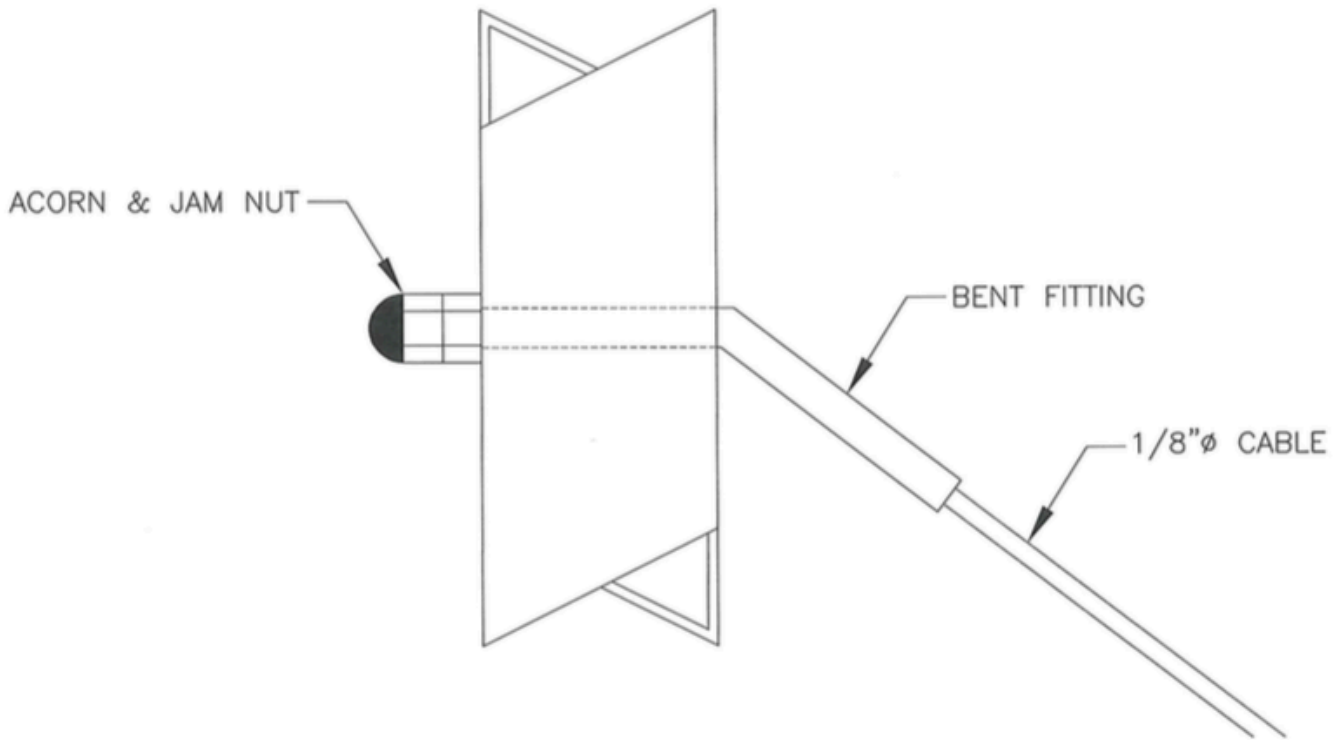
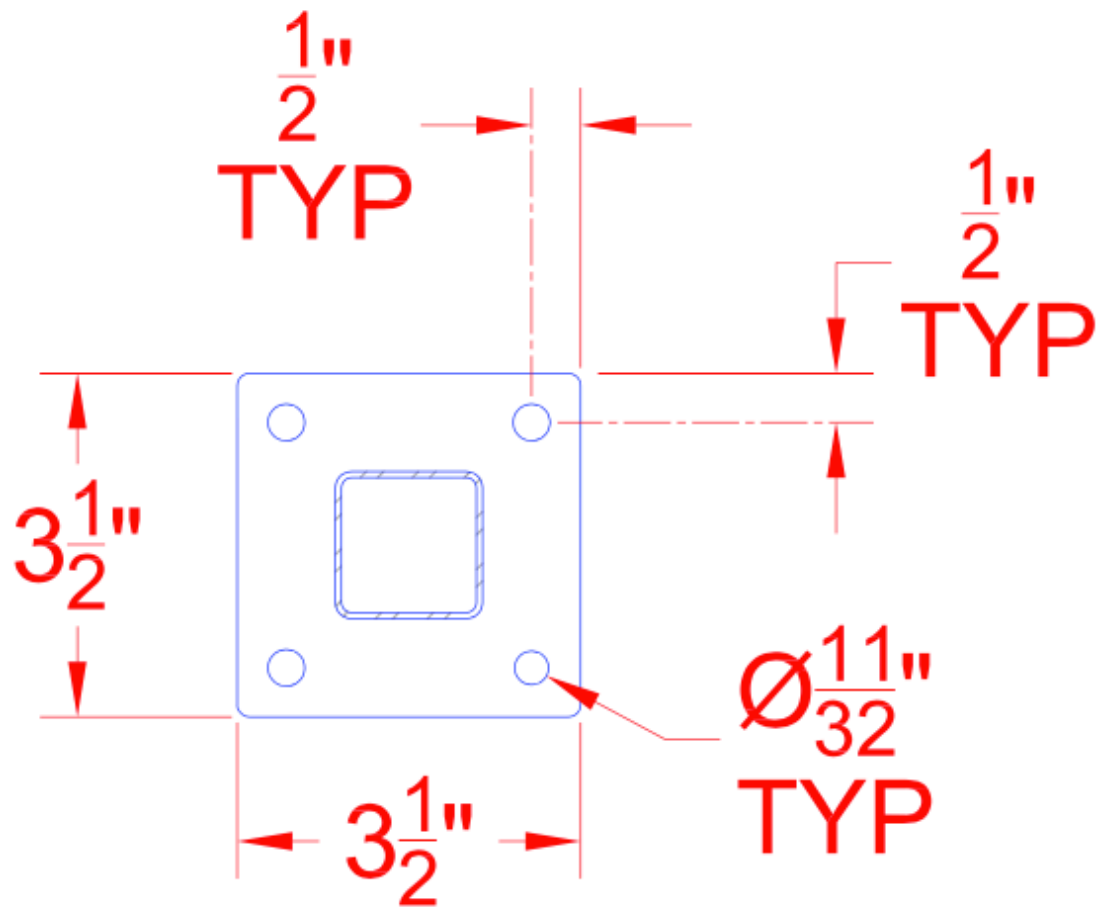


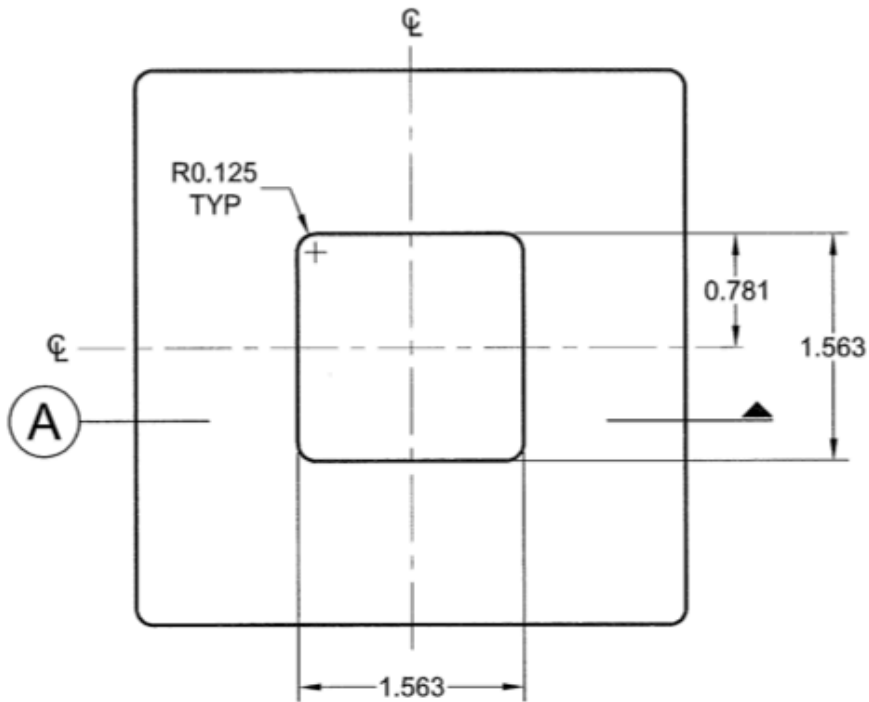
How to use Bevelled Washer



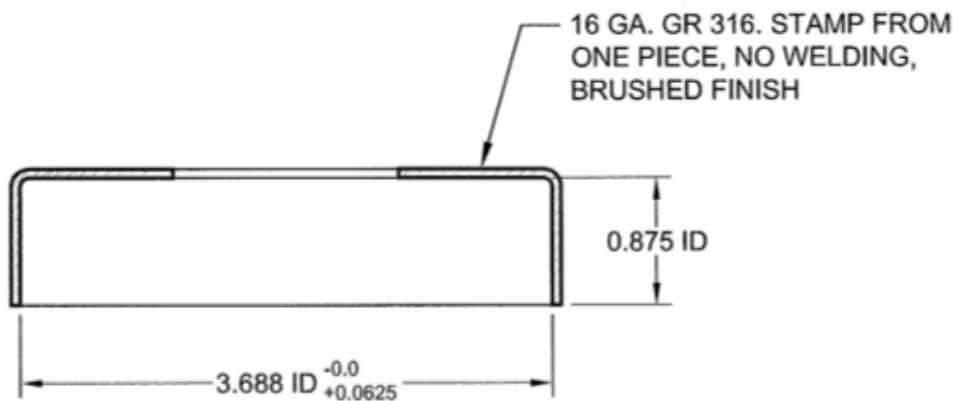




**STANDARD BASE
PLATE DETAIL**



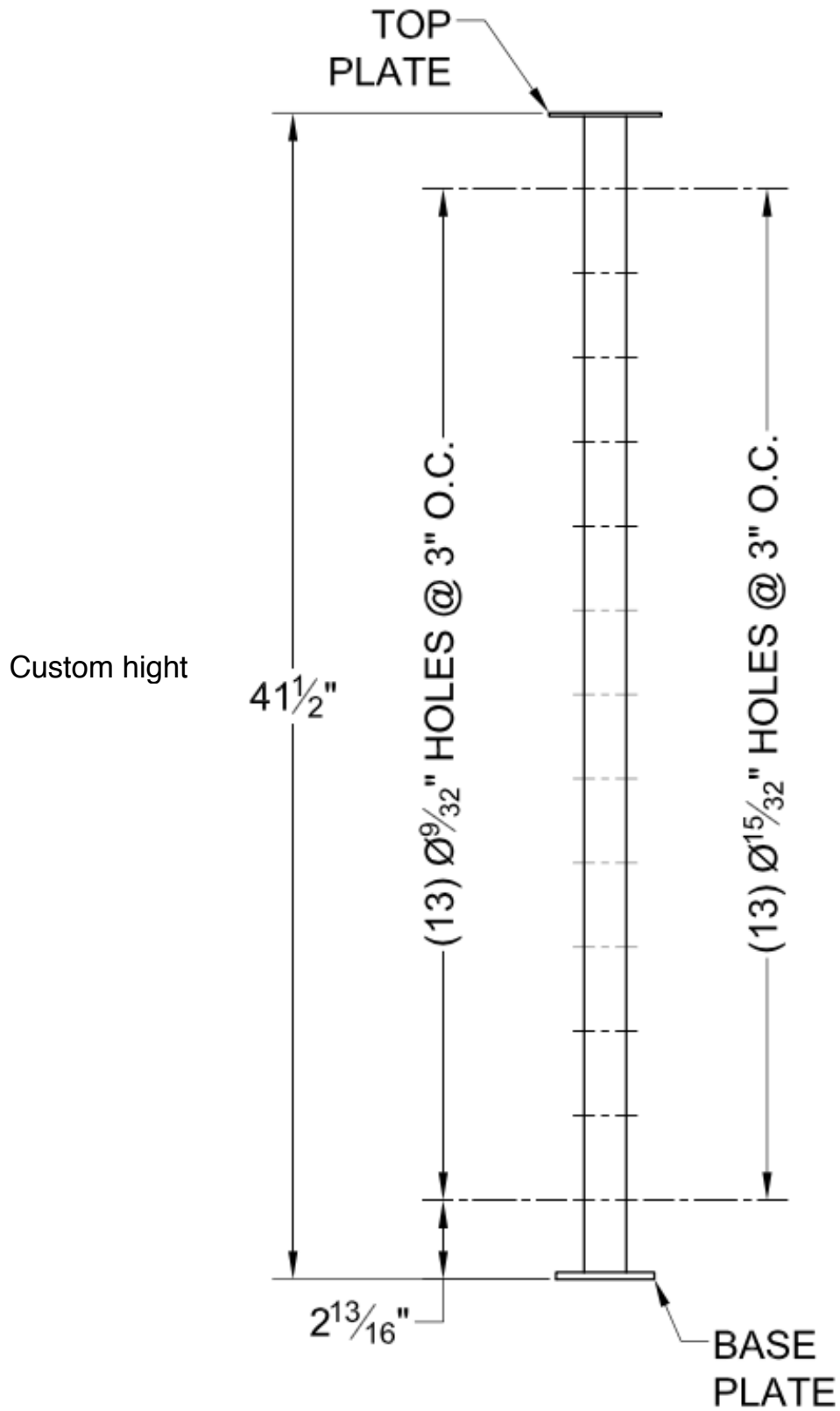
TOP VIEW

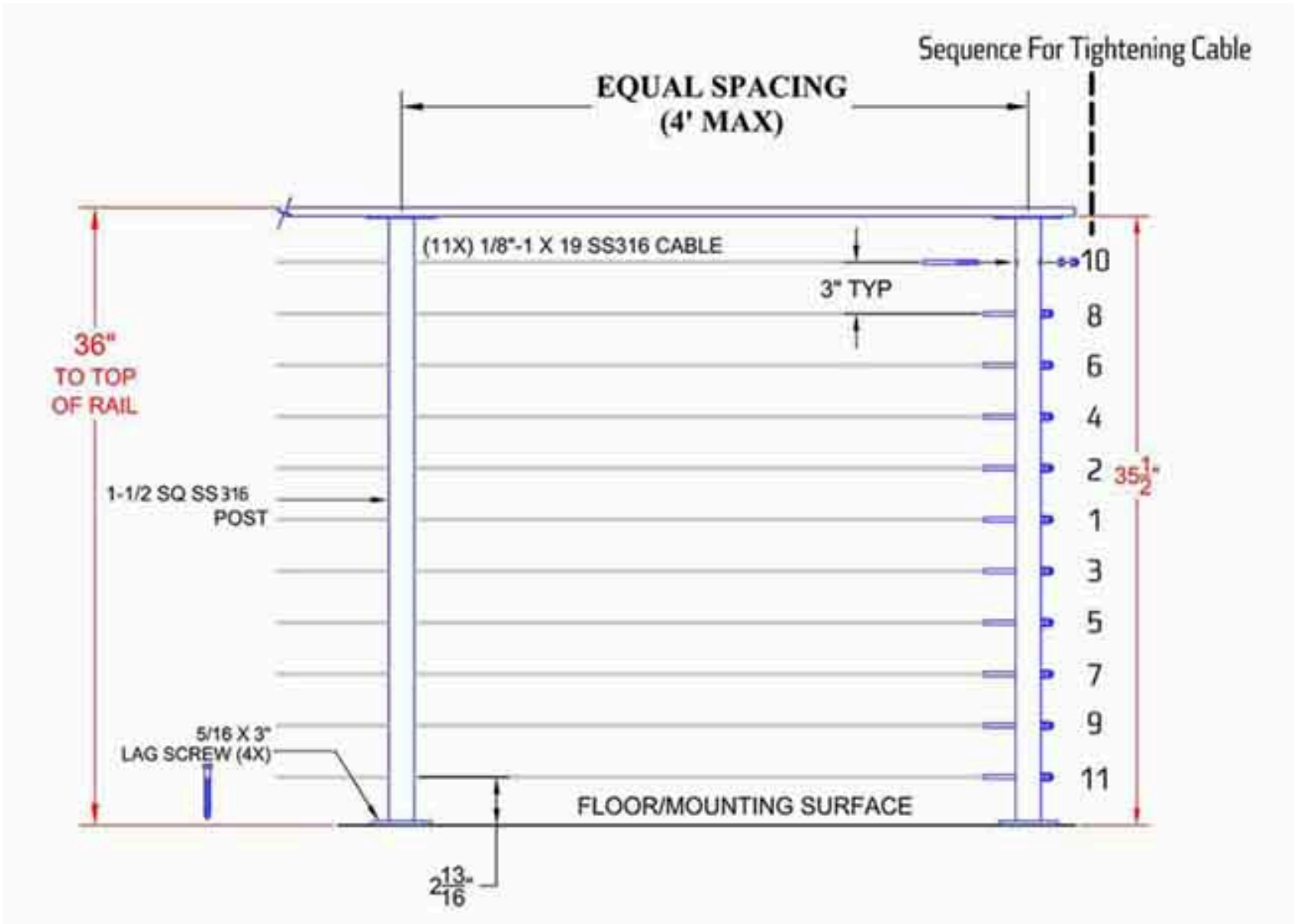


SECTION A

NOTES:

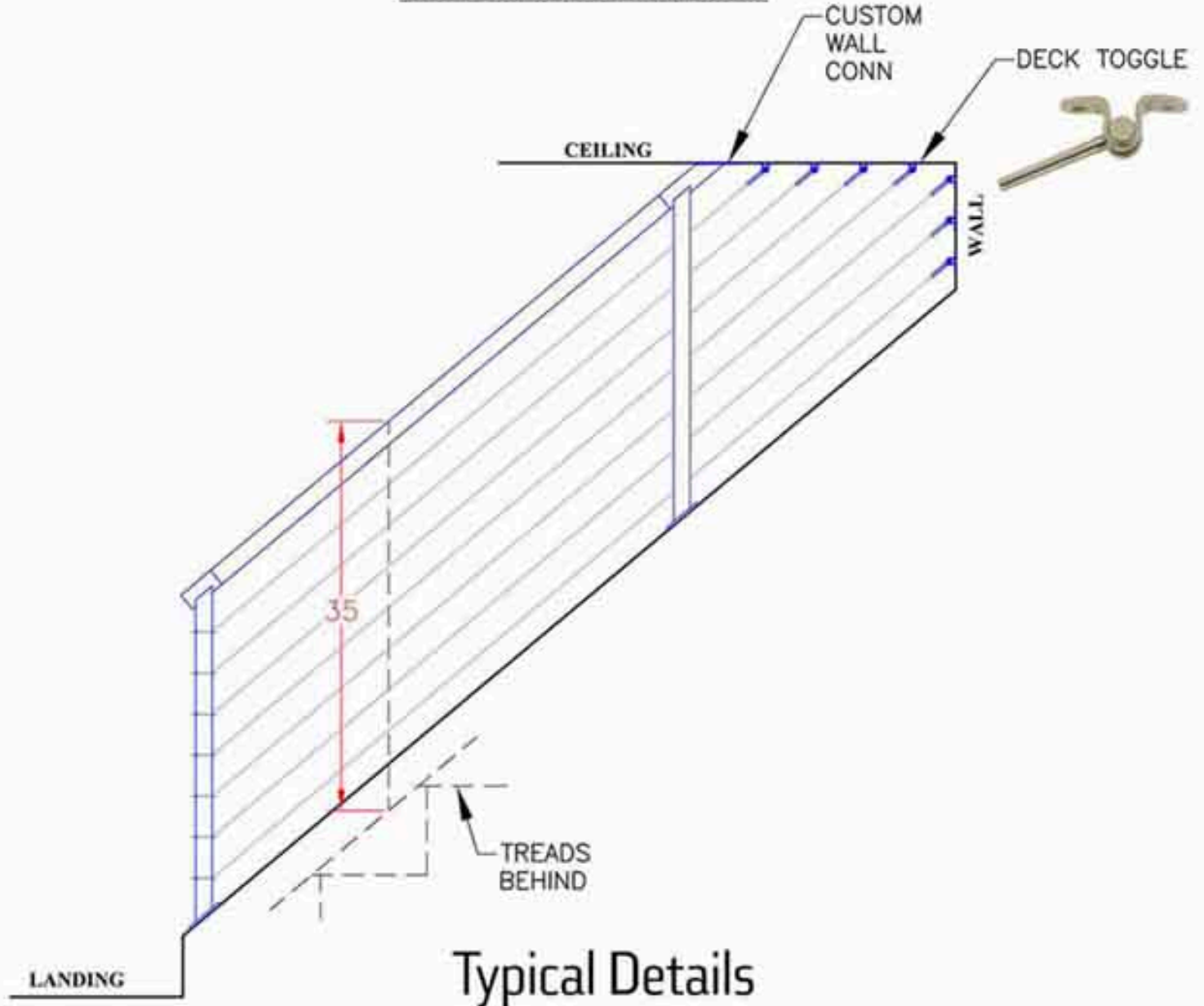
1. ALL DIMENSIONS IN INCHES.
2. TOLERANCE ± 0.005 UNLESS NOTED OTHERWISE.
3. GRADE 316 SS.
4. 180 GRIT FINISH.







SYSTEM SPECIFICATIONS



Typical Details



Quality on welding and finish

